

HA16 E HA16 E PRO



BOOST YOUR PRODUCTIVITY

- > Load capacity of 300kg and 5° tilt
- > Oscillating axle with manual differential lock increases ground traction (PRO model)
- > 4-wheel steering for more agility (PRO model)

OPERATE ANYTIME ANYWHERE WITH ZERO EMISSION

- > Full electric drive
- > Silent and clean operations
- > Versatile use: indoor / outdoor on all types of worksites

EXTEND YOUR DUTY CYCLES

- > Multiple and fast charging solutions adapted to all worksite situations
- > Fast charging thanks to removable Range Extender (option compatible with other PULSEO machines)

WORK SAFELY

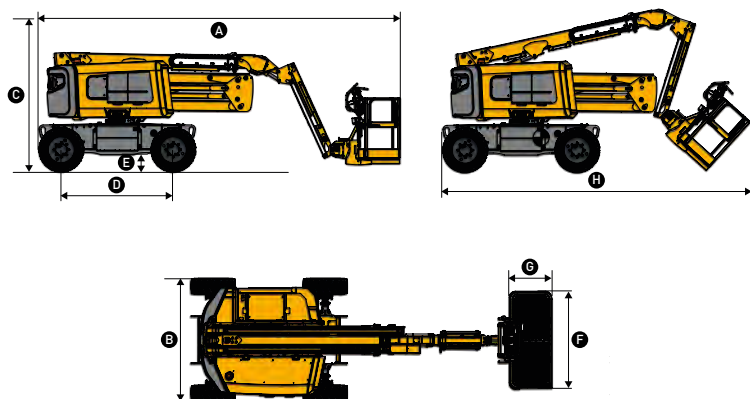
- > Haulotte Activ'Shield Bar : anti-crushing system (standard PRO model)
- > Haulotte Activ'Lighting System: load and unload the machine in low visibility conditions (standard PRO model)
- > Transport handle to ensure the operator is safe while loading and unloading (optional)

HA16 E HA16 E PRO

ARTICULATING BOOMS ELECTRIC

TECHNICAL DATA

| | HA16 E | HA16 E PRO |
|-------------------------------------|-----------------------------------|------------|
| Working height | 16 m | |
| Platform height | 14 m | |
| Horizontal outreach | 7.94 m | |
| Up and over clearance | 7.88 m | |
| Lift capacity | 300 kg | |
| A Length | 6.78 m | |
| Length - transport | 5.79 m | |
| B Width | 2.3 m | |
| C Height - stowed | 2.29 m | |
| Height - transport | 3 m | |
| D Wheelbase | 2.1 m | |
| E Ground clearance | 30 cm | |
| F x G Platform size | 1.8 x 0.8 m (Option 2.40 x 0.9 m) | |
| H Storage / transport length | 5.79 m | |
| Storage / transport height | 3 m | |
| Tailswing | 16.2 cm | |
| Tilt | 5 ° | |
| Proportional drive speed | 4,9 km/h | |
| Maximum wind speed rating | 45 km/h | |
| Gradeability | 40 % | |
| Turning radius - outside | 5 m | 3.3 m |
| Weight | 7 030 kg | 7 120 kg |
| Batteries | 48V - 390Ah (C20) | |



STANDARD EQUIPMENT

- > Haulotte Activ'Lighting System (standard PRO model)
- > Proportional and simultaneous movements
- > Modular basket 1.8 x 0.8 m
- > Access to the MyHaulotte multi-service portal
- > Universal telematic plug
- > 4-wheel drive and 2-wheel steering (standard E model)
- > 4-wheel drive and 4-wheel steering (standard PRO model)
- > Haulotte Activ'Screen
- > Haulotte Activ'Shield Bar (standard PRO model)
- > Flashing light

OPTIONS & ACCESSORIES

- > Non-marking tires
- > USB plug
- > Glazier kit
- > Sherpal telematics subscription
- > 360° continuous rotation (PRO model only)
- > Range Extender protective cover
- > Large basket 2.44 x 0.91 m
- > Transport handle
- > REX 5.5 kW - Stage 5
- > Accelerated charger 380V

